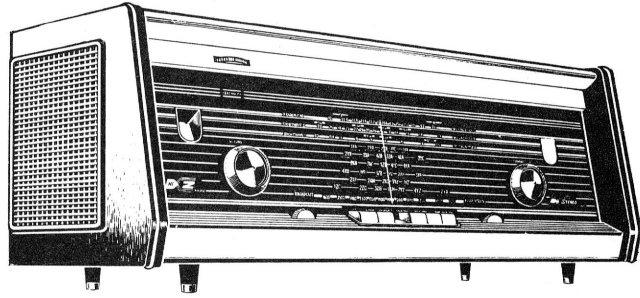


Stereomaster Model FL517A



WAVE RANGE

BC517-1630 KC/S
SW1 3.16-10 MC/S
SW2 12.6-26.8 MC/S
BS 9.4-12.4 MC/S

I. F. 455 KC

VALVES

ECH81, EBF89, ECC83
2 x ECL86, 2 x EL86, EM80, EZ81

LOUDSPEAKERS

2 x AD3700. AM (800 ohm)



ALIGNMENT INSTRUCTIONS

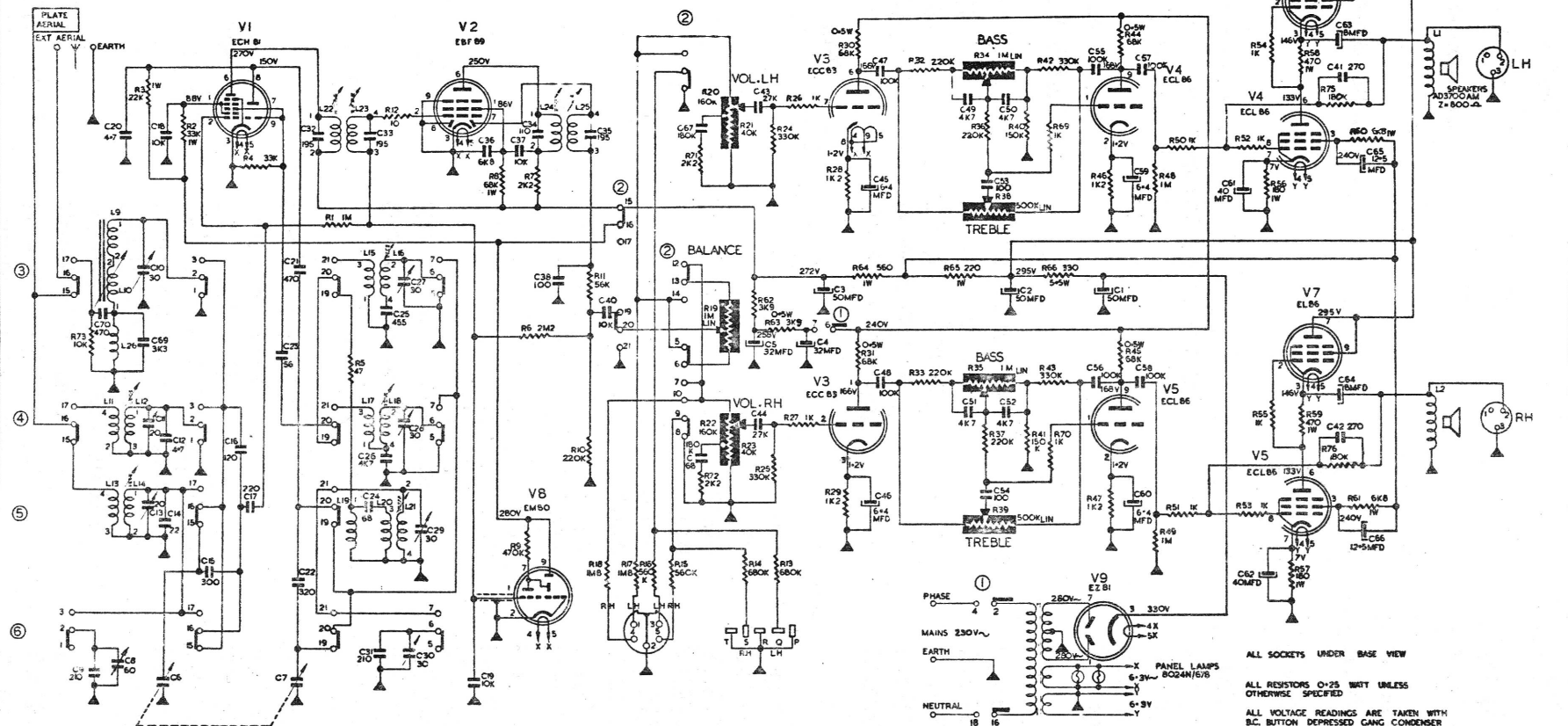
Refer to trimmer location diagram

Volume control maximum, gang minimum, O. P. meter to L.H. channel, dummy load (800 ohms) to R.H. channel, bass and treble to minimum.

| Trimming Frequency | Push Button | Adjust core and condensers for maximum output |
|--|-------------|---|
| 455KC Thru 10K pfd To grid ECH81 | Broadcast | Unscrew cores of EBF89 plate and EBF89 grid then (1) diode L25, (2) EBF89 plate coil L24 (3) ECH81 plate coil L22 (4) EBF89 grid coil L23 |
| 550KC | Broadcast | BC osc. coil core L15-L16, BC aerial coil on rod L10 |
| 1500KC | Broadcast | BC osc. trimmer C27, BC AE trimmer C10 |
| 3.4 MC | SW1 | SW1 osc. coil core L17, L18, SW AE core L13, L14 |
| 9.4 MC | SW1 | SW1 osc. trimmer C28, SW1 AE trimmer L11, L12 |
| 13 MC | SW2 | SW2 osc. coil core L19, 20, 21 |
| 25 MC | SW2 | SW2, AE coil core SW2 osc. trimmer C29, SW2 AE trimmer C20 |
| 12 MC | BS | BS osc. trimmer C30, AE trimmer C8 |

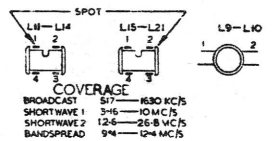
Repeat all above alignment procedures except I. F. alignment.

IF 455 KC/S



SK FUNCTION

| SK | 1 | 2 | 3 | 4 | 5 | 6 |
|------------------------------------|-----|------|----|------|------|-----|
| FUNCTION | OFF | GRAM | BC | SW 1 | SW 2 | B S |
| CHASSIS BOTTOM | | | | | | |
| SWITCH VIEWED FROM BACK UNOPERATED | | | | | | |
| CHASSIS TOP | | | | | | |



ALL SOCKETS UNDER BASE VIEW

ALL RESISTORS 0-25 WATT UNLESS OTHERWISE SPECIFIED

ALL VOLTAGE READINGS ARE TAKEN WITH S.C. BUTTON DEPRESSED GANG CONDENSER AND TONE CONTROLS, AT MINIMUM CAPACITY, WITH A MULTIMETER HAVING A SENSITIVITY OF 20,000 OHMS PER VOLT ON D.C. RANGES AND 1000 OHMS PER VOLT ON A.C. RANGES. READINGS ARE TAKEN BETWEEN POINTS INDICATED AND CHASSIS.

MODEL B5Z17A

PARTS LIST

COILS

| | | |
|---------------|----------------------------|-------------|
| L1, L2, L3 | Mains transformer | EN63123 |
| L9, L10 | Rod AE assmb. BC | A3.116.92 |
| L11, L12 | Aerial coil SW1 | A3.802.52 |
| L13, L14 | Aerial coil SW2 and BS | A3.118.40 |
| L15, L16 | Oscillator coil BC | A3.125.72.1 |
| L17, L18 | Oscillator coils SW1 | EN.471.71 |
| L19, L20, L22 | Oscillator coil SW2 and BS | A3.125.50 |
| L22, L23 | 1st I. F. coil | A3.127.72 |
| L24, L25 | 2nd I. F. coil | A3.126.84 |
| L26 | Coupling coil | A3.803.61 |

CONDENSERS

| | | |
|------------|------------------------|---------------------|
| C6, C7 | Gang condenser | 49.001.94 |
| C1, C2, C3 | Electrolytic condenser | AC5480/50+50+50 mfd |
| C4, C5 | " " | AC5307/32+32 mfd |
| C59 | " " 40v | C425 ALG 6.4 mfd |
| C60 | " " 40v | C425 ALG 6.4 mfd |
| C61 | " " 16v | C425 AL/E40 mfd |
| C62 | " " 16v | C425 AL/E40 mfd |
| C63 | " " 300v | AC5127/8 mfd |
| C64 | " " 300v | AC5127/8 mfd |
| C65 | " " 200v | AC8125/12.5 mfd |
| C66 | " " 200v | AC8125/12.5 mfd |
| C45 | " " 40v | C425 ALG6.4 mfd |
| C46 | " " 40v | C425 ALG 6.4 mfd |

RESISTORS

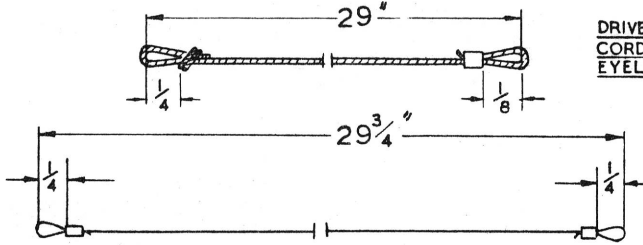
| | | |
|---------|--------------------------|--------------|
| R19 | Balance control | E098CG/00B15 |
| R34, 35 | Bass control | E091CG/00B15 |
| R38, 39 | Treble control | E091CG/00B12 |
| R20, 25 | Volume control | E091CG/00B23 |
| R66, 25 | Wire wound resistor 5.5w | 83540B/330E |

MISCELLANEOUS

| | |
|---------------------------------|--|
| Push button unit | A3.298.22 |
| Dial | EN.852.94 |
| Knob, balance control | A3.783.74 |
| Knob, volume and tuning assemb. | A3.782.68 |
| Aerial/earth | { Plug aerial F041AA/02 " earth F041AA/01 Socket A3.382.13 |
| Extension speaker | { Plug 978/3x7 Socket A3.410.65 |
| Tape recorder | { Plug AE505.92 Socket A3.788.88 |
| Record player | { Plug A3.814.05 Socket A3.788.77 |

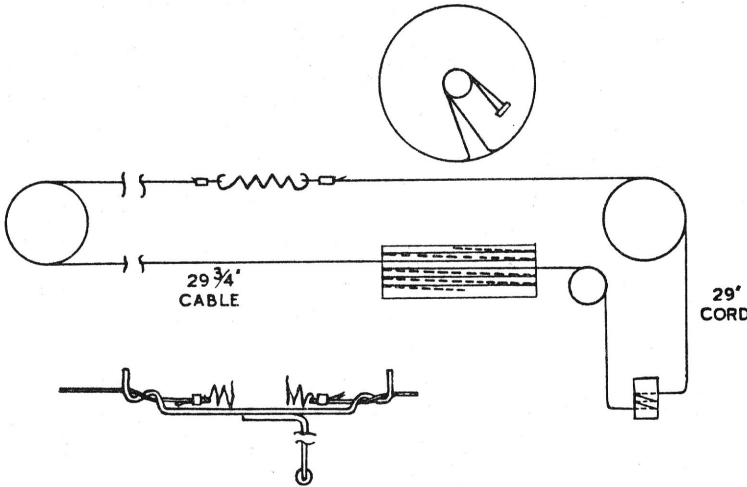
MODIFICATION SERIAL NO. 77550 ONWARDS

Resistors R56 and R57 changed from 1800 ohms to 1200 ohms

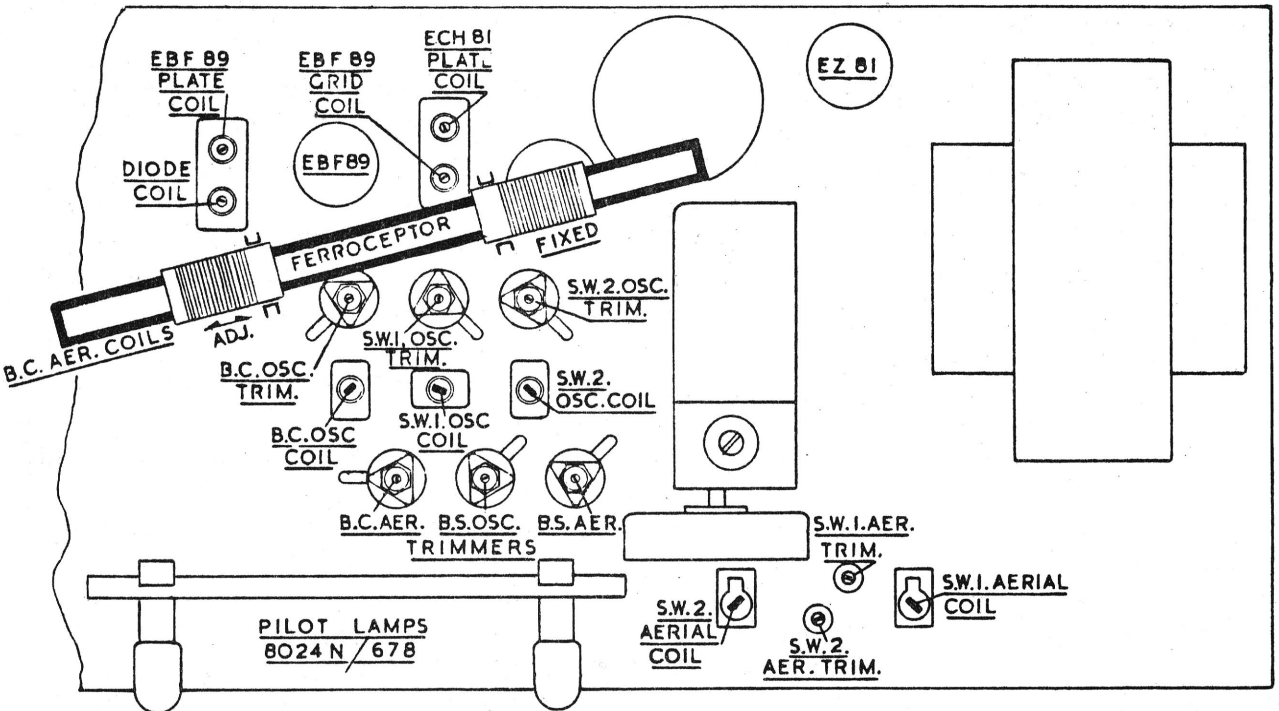


DRIVE CORD ASSEMBLY EN 448 30
 CORD K 415 JBI
 EYELET WE 497 22

DRIVE CABLE ASSEMBLY EN 448 29
 CABLE N449 KA/21
 BRASS TUBE 2B 11857
 SPRING A3 646 82



DIAL CORD DIAGRAM



TRIMMER LOCATION DIAGRAM

MODELS B5Z17A
F7Z18A

TRIMMER LOCATION DIAGRAM

Published by

PRODUCT MAINTENANCE DIVISION, PHILIPS ELECTRICAL INDUSTRIES (N.Z.) LTD.

P.O. BOX 2097, WELLINGTON