

# PHILCO MODEL 614

## SPECIFICATIONS

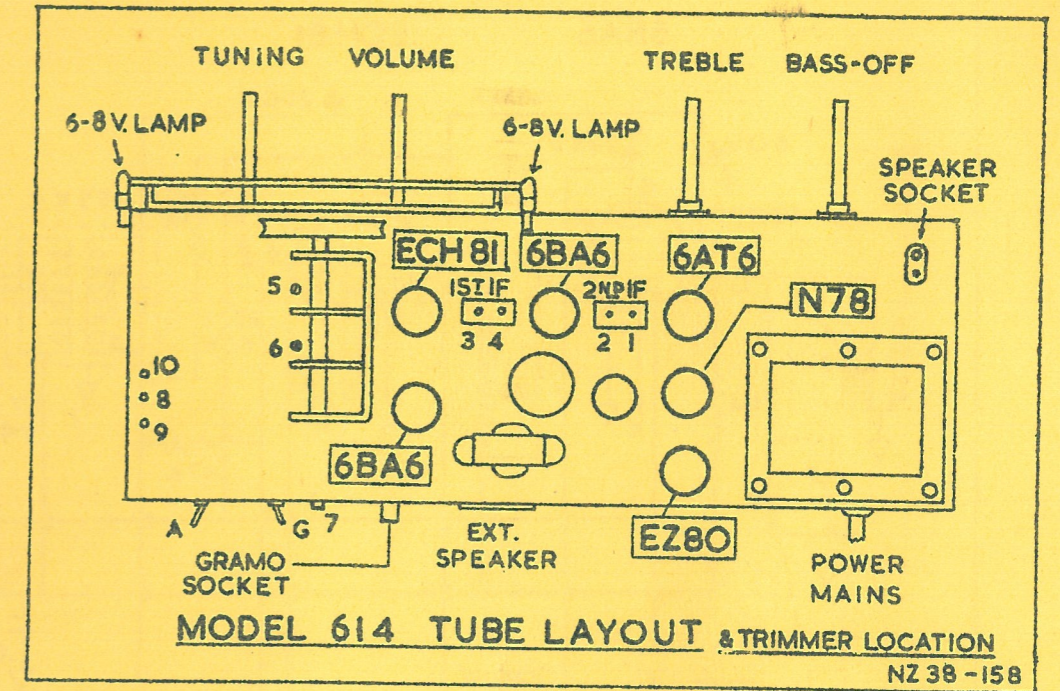
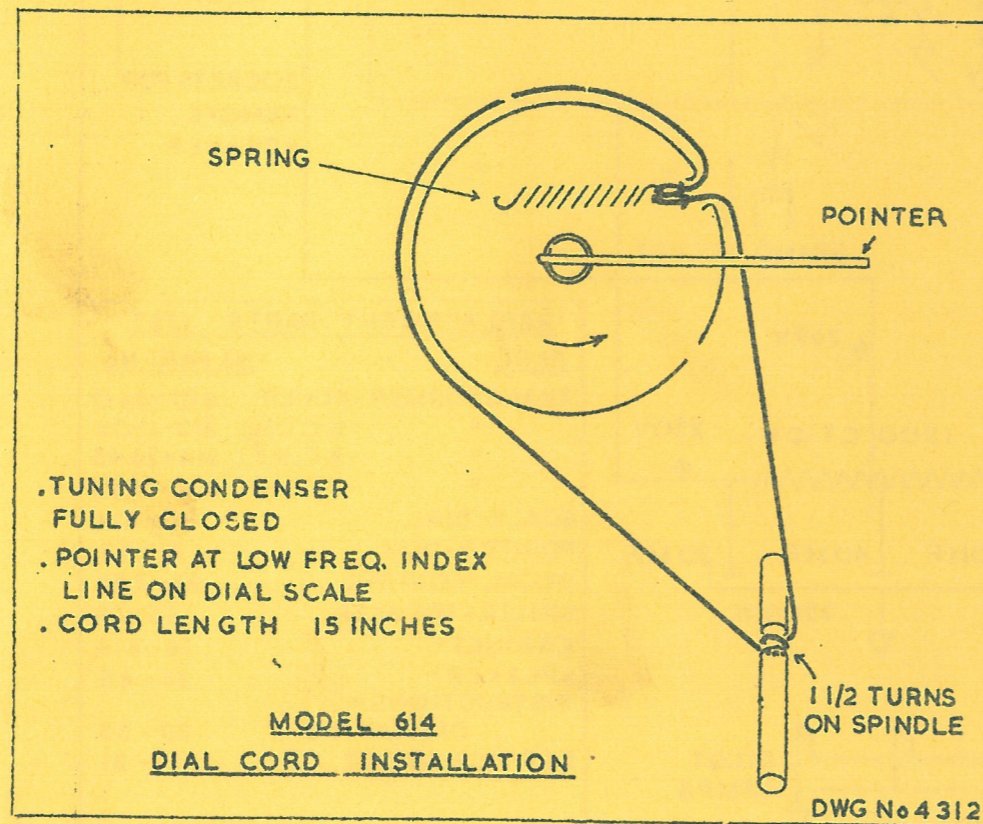
### GENERAL DESCRIPTION:

Six Tube A.C. Superheterodyne  
using miniature tubes.

### Frequency Coverage-

Broadcast 535-1600 KC/s

Tube Complement-  
R.F. Stage 6BA6  
Converter ECH81  
I.F. Amplifier 6BA6  
2nd Det. & A.F. Amplifier D77/6AT6  
Output N78/6BJ5  
Rectifier EZ80  
Power Supply-  
230 Volts A.C.  
  
Power Consumption-  
50 Watts.



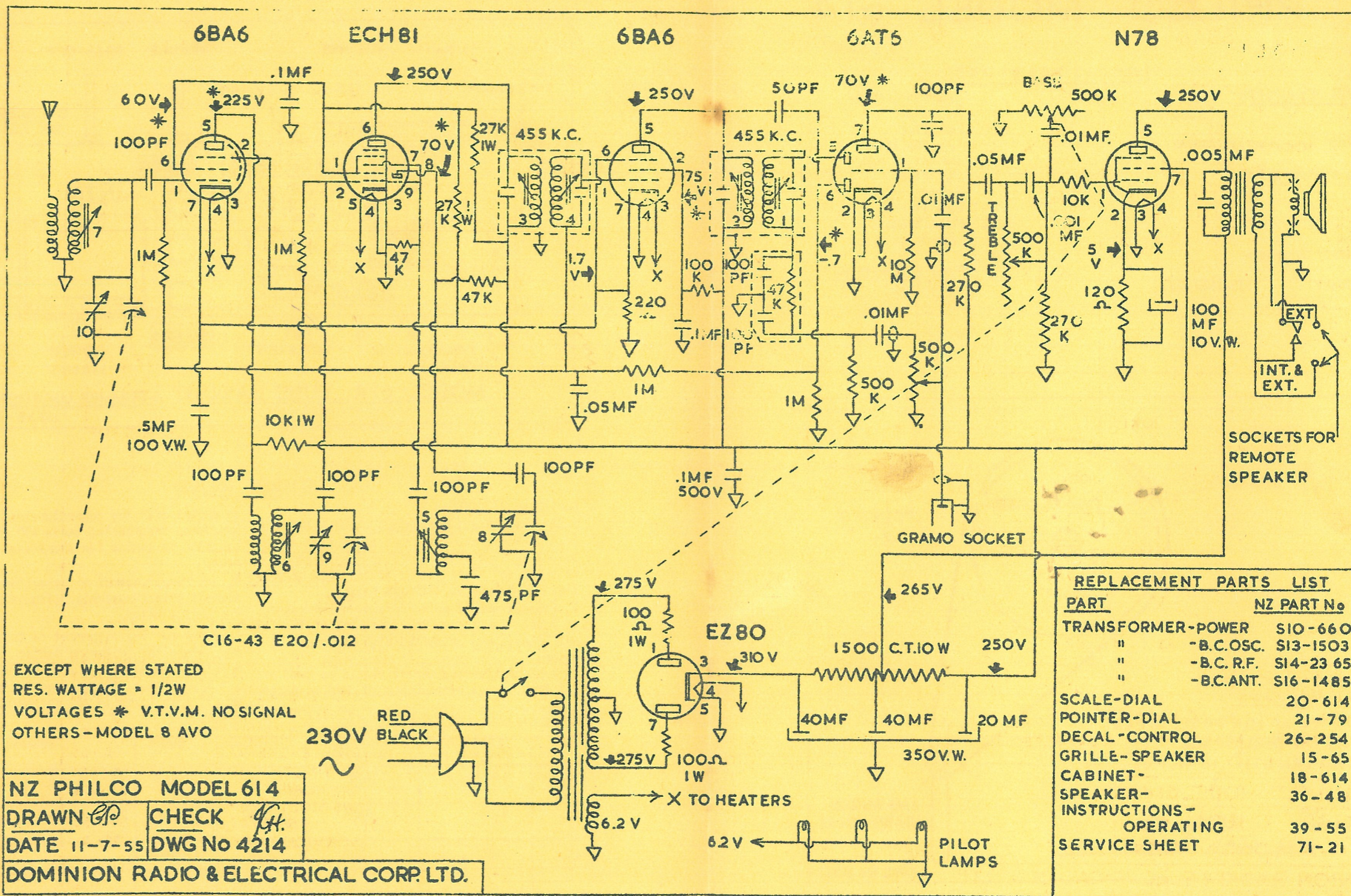
### ALIGNMENT PROCEDURE

#### EQUIPMENT REQUIRED:

- All wave signal generator-output meter.  
(N.B.) Philco receivers are carefully aligned before leaving the factory and re-alignment of a new set if necessary at all will be confined to slight adjustments only.
1. Connect output meter to convenient source of audio, say across the terminals of the output transformer using the high range of the meter.
  2. A standard dummy aerial should be used or if this is not available a 200 mfd condenser in series with the generator lead for broadcast frequencies and a 400 ohm resistor in series for short wave alignment.
  3. Use lowest output of generator consistent with a readable deflection of the output meter.
  4. Carry out the alignment in the order set out in the following table:
- NOTE: The image signal will be found .91 m/cs higher on the generator scale or .91 m/cs lower on the receiver dial scale.

BAND	GENERATOR FREQUENCY	RECEIVER FREQUENCY	TRIMMERS	DUMMY	REMARKS
I.F.	455 Kc/s	1600	1-2-3-4	.1 mfd	Connect generator to centre section of gang
B.C.	1400	1400	8-9-10	Standard	Repeat after adjusting 5,6,7.
B.C.	600	600	5-6-7	Standard	





EXCEPT WHERE STATED  
 RES. WATTAGE = 1/2W  
 VOLTAGES \* V.T.V.M. NO SIGNAL  
 OTHERS - MODEL 8 AVO

NZ PHILCO MODEL 614  
 DRAWN *EP* CHECK *GH*  
 DATE 11-7-55 DWG No 4214  
 DOMINION RADIO & ELECTRICAL CORP. LTD.

REPLACEMENT PARTS LIST	
PART	NZ PART No
TRANSFORMER-POWER	S10-660
"	-B.C.OSC. S13-1503
"	-B.C.R.F. S14-23 65
"	-B.C.ANT. S16-1485
SCALE-DIAL	20-614
POINTER-DIAL	21-79
DECAL-CONTROL	26-254
GRILLE-SPEAKER	15-65
CABINET-	18-614
SPEAKER-	36-48
INSTRUCTIONS -	
OPERATING	39-55
SERVICE SHEET	71-21