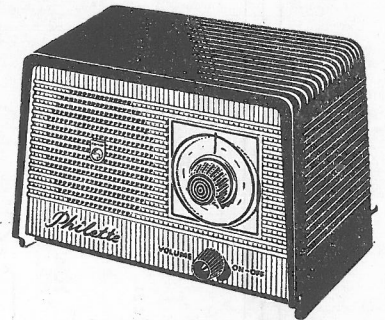


# PHILIPS SERVICE

# NOTES



Philips "Contrasta"  
Model B1Z87U

**WAVERANGE**  
535-1590 kc/s

**VALVES**  
UCH81 UBF80,  
UCL82, UY85

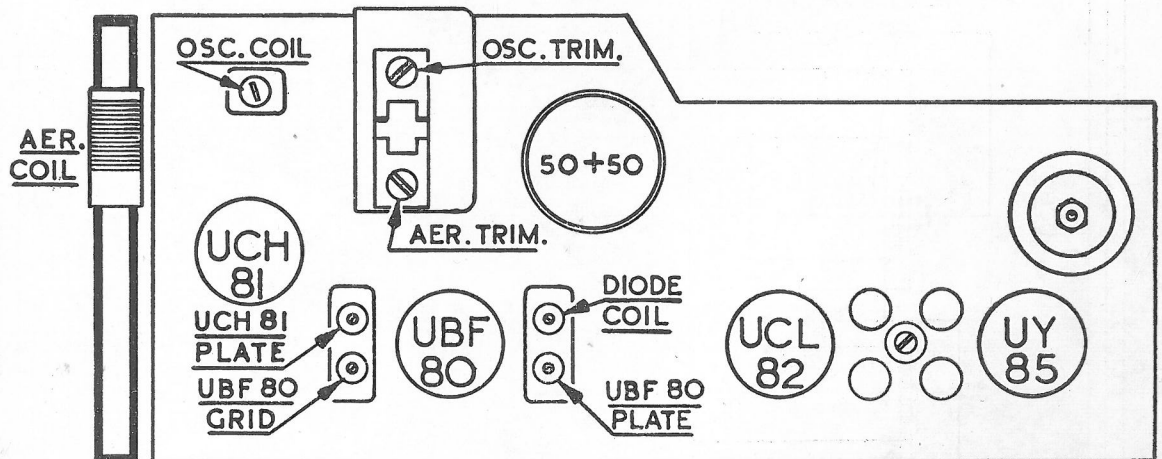
**LOUDSPEAKER**  
AD2500Y

**I. F.**  
455 kc/s

## ALIGNMENT OF RECEIVER

| Trimming Frequency | Connect Sig. Gen. to     | Adjust to Maximum Output  |
|--------------------|--------------------------|---|
| 455 kc/s           | Grid UCH81 via 01 mfd    | (1) Diode Coil, (2) UBF80 Plate Coil<br>(3) UCH81 Plate Coil, (4) UBF80 Grid Coil |
| 600 kc/s           | Ae                       | Oscillator Coil Slug, Coil on Rod Repeat  |
| 1400 kc/s          | Ae                       | Oscillator Trimmer, Aerial Trimmer Repeat   |
| 600 kc/s           | Loosely Couple Ae to Rod | Coil on Rod   |
| 1400 kc/s          | Loosely Couple Ae to Rod | Ae Trimmer  |

PHILIPS "CONTRASTA"—MODEL B1Z87U

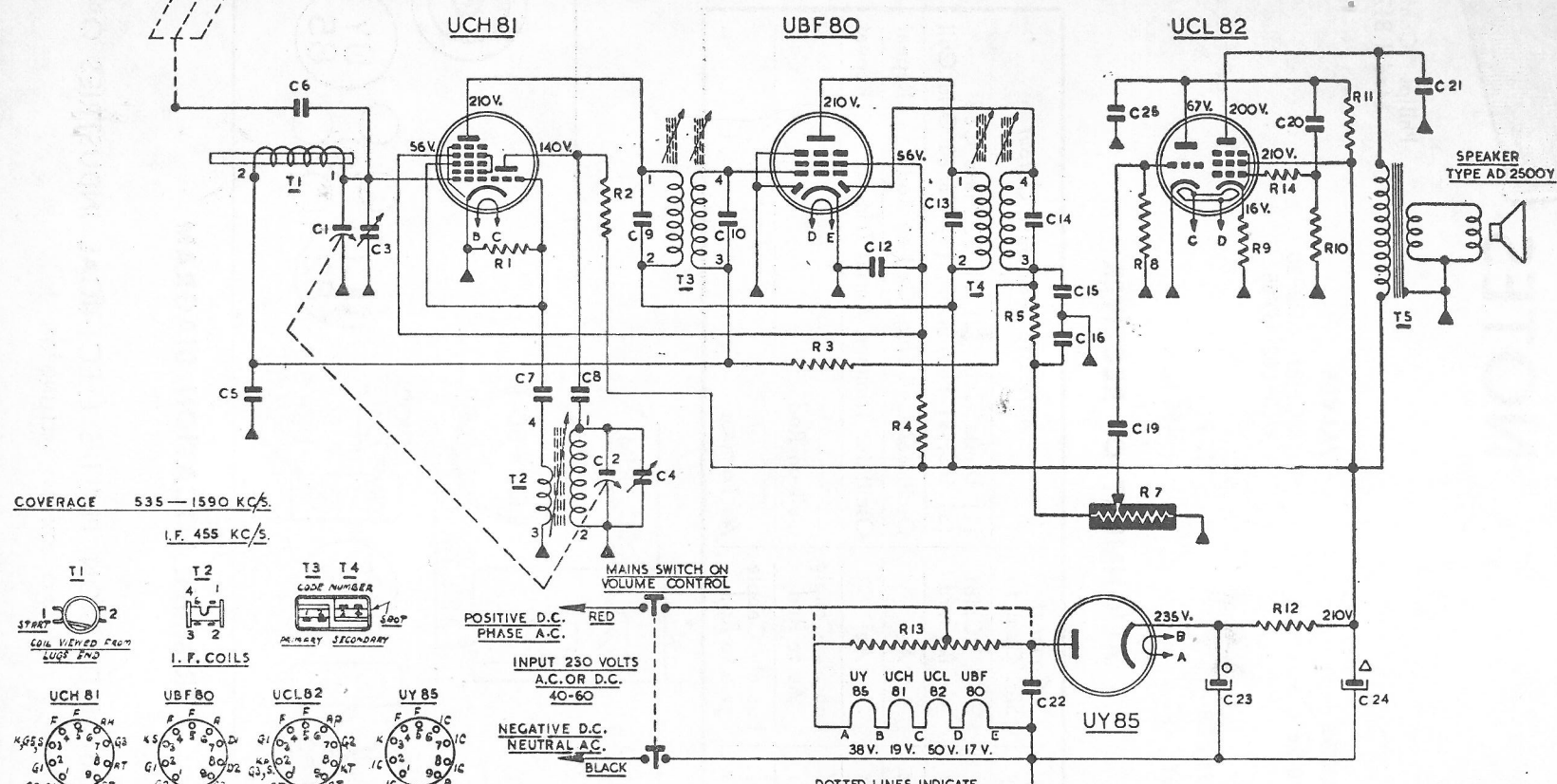


**TRIMMER LOCATION DIAGRAM**

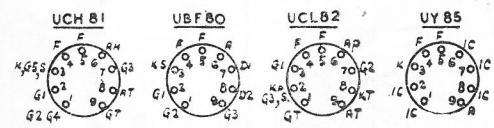
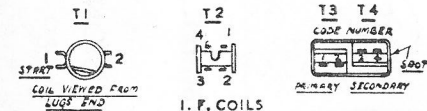
Published by . . .

PRODUCT MAINTENANCE DIVISION, PHILIPS ELECTRICAL INDUSTRIES OF N.Z. LTD.

P.O. BOX 2097, WELLINGTON



COVERAGE 535 — 1590 KC/S.  
 I.F. 455 KC/S.



POSITIVE D.C. PHASE A.C. RED  
 NEGATIVE D.C. NEUTRAL A.C. BLACK

INPUT 230 VOLTS A.C. OR D.C. 40-60

DOTTED LINES INDICATE SHORTING BARS FOR 110-125 VOLT A.C./D.C. OPERATION

**MODEL B1Z87U**

G.D. 3-60

|     |                               |     |                              |     |                            |     |                                   |     |                                       |
|-----|-------------------------------|-----|------------------------------|-----|----------------------------|-----|-----------------------------------|-----|---------------------------------------|
| C1  | 10-332 MMFD                   | C12 | 82K MMFD 400V. DAPER CERAMIC | C23 | 50 MFD 350V.               | R7  | 50K + 450K POTENTIOMETER          | T1  | FERROCEPTOR ROD AERIAL COIL V4 409-75 |
| C2  | 9-132 MMFD 3 GANGED CONDENSER | C13 | 195 MMFD CERAMIC             | C24 | 30 MFD DOUBLE ELECTROLYTIC | R8  | 6.8 MEG. 1/4W. CARBON             | T2  | OSCILLATOR COIL V4 471-67             |
| C3  | 3-30 MMFD TRIMMER ON GANG     | C14 | 195 MMFD CERAMIC             | C25 | 220 MMFD CERAMIC           | R9  | 470Ω 1W. CRACKED CARBON           | T3  | MICRO I.F. FILTER A3 127-72           |
| C4  | 3-30 MMFD " " "               | C15 | 100 MMFD WITH RF FORMS       |     |                            | R10 | 1.8 MEG. 1/4W. CARBON             | T4  | MICRO I.F. " A3 127-72                |
| C5  | 47K MMFD 125V. MYLAR          | C16 | 100 MMFD DIODE FILTER        |     |                            | R11 | 220K 1/4W. " "                    | T5  | OUTPUT TRANSFORMER V4 671-08          |
| C6  | 12 MMFD 800V CERAMIC          |     |                              |     |                            | R12 | 500Ω 4W. WIRE WOUND               |     |                                       |
| C7  | 47 MMFD " "                   | C19 | 4K7 MMFD 350V. CERAMIC       |     |                            | R13 | 1200Ω TAPPED AT 120Ω 18W. W.WOUND | R13 | CODE NO. B1 624-85                    |
| C8  | 150 MMFD " "                  | C20 | 4K7 MMFD 350V. " "           |     |                            | R14 | 1000Ω 1/4W. CARBON                |     |                                       |
| C9  | 195 MMFD " "                  | C21 | 10K MMFD 600V. DAPER         |     |                            |     |                                   |     |                                       |
| C10 | 195 MMFD " "                  | C22 | 47K MMFD 600V. " "           |     |                            |     |                                   |     |                                       |
|     |                               |     |                              |     |                            | R1  | 47K 1/4W. CARBON                  |     |                                       |
|     |                               |     |                              |     |                            | R2  | 15K 3/4W. " "                     |     |                                       |
|     |                               |     |                              |     |                            | R3  | 2.7M 1/4W. " "                    |     |                                       |
|     |                               |     |                              |     |                            | R4  | 33K 1W CRACKED CARBON             |     |                                       |
|     |                               |     |                              |     |                            | R5  | 47K 1/4W. CARBON                  |     |                                       |

**MODEL B1Z87U**  
 Philips "Contrasta"