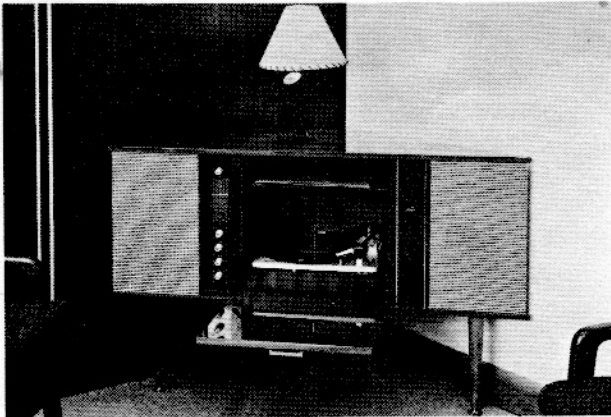




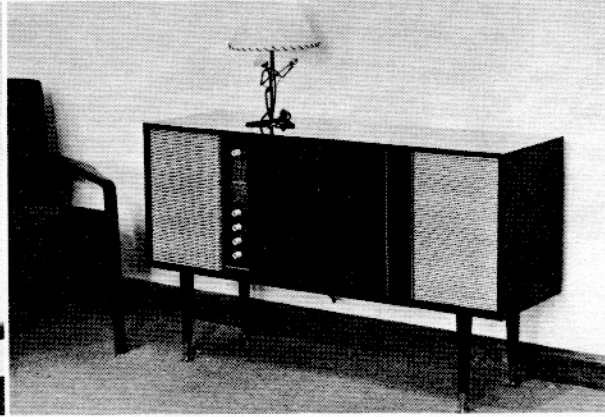
Philips Service Notes

- F5Z37A — Celestial
- F5Z38A — Cornergram
- F6Z37A — Capricorn

STEREOGRAMS



F5Z38A CORNERGRAM



F5Z37A CELESTIAL



F6Z37A CAPRICORN

PHILIPS MODELS F5Z37A / F5Z38A / F6Z37A

- F5Z37A — Celestial Stereogram
- F5Z38A — Cornergram Stereogram
- F6Z37A — Capricorn Stereogram

FREQUENCY RANGE:

512 - 1630 k/cs

I.F. FREQUENCY

455 k/cs

VALVES

UCH81, UBF80, 2 x UCL82
2 x UL84, 2 x UY89

LOUDSPEAKERS:

2 x AD2800A (800 ohms)
Except F5Z38A Cornergram has 2 x AD3700AM
(7" 800 ohm)

CONTROLS:

1. Tuning control
 2. Radio/gram switch
 3. Tone control, on/off mains switch
 4. Stereo balance
 5. Volume control
- Linear (Slide Rule) Dial Scale

ALIGNMENT INSTRUCTIONS:

Refer to trimmer location diagram.

Volume control maximum, gang tuning capacitor at minimum capacity, output meter to left hand audio channel and dummy load (800 ohms) to right hand channel, tone control fully clockwise.

1. ACCESS TO CHASSIS:

1. Remove rear panel behind radio section.
2. Remove knobs.
3. Remove the screws (self tapped) which hold the chassis in place.
4. Disconnect P.U. lead by pulling out plug.
5. Move bottom of chassis down and out.
6. Chassis now accessible for service.

2. RADIO FREQUENCY ALIGNMENT:

Turn gang tuning capacitor to minimum capacity and check pointer at left hand arrow on the tuning dial.

Connect the signal generator via standard dummy aerial to the aerial and earth leads.

3. INTERMEDIATE FREQUENCY ALIGNMENT:

Trimming Frequency
455 k/cs via 10K pfd

Radiogram Switch to
Radio

Capacitor to grid UCH81

Adjust cores and capacitors for maximum output.

Unscrew cores of UBF80 plate and grid, then proceed to adjust as follows:

1. Diode coil
2. UBF80 plate coil
3. UCH81 plate coil
4. UBF80 grid coil

Set Pointer to Trimming
Frequency

512 k/cs

1630 k/cs

Radio Switch to:

Radio

Radio

Adjust cores and trimmers

BC Oscillator coil core

BC Aerial coil on rod

BC Oscillator trimmer

BC Aerial trimmer

Repeat the RF alignment procedure as above once more, then seal cores and trimmers.

REPLACEMENT PARTS RADIO:

	Item	Code No.
L1	Rod aerial coil assembly	A3 118 35
L2/L3	Oscillator coil assembly	A3 129 36
L4/L5	I.F. Transformer	A3 129 23
L6/L7	I.F. Transformer	A3 129 23
	Power Transformer	EN 631 25
	Loudspeakers	AD 3800 AM (800 ohms)
	Pilot Lamp 12 V	8097D
R7, C17, C18	Diode Filter	E553ZZ/03
R11/ 12/ 13/ 14	Dual volume control 2 megohm tapped	E091 CG/00B20
R31/32	Dual tone control 100K ohm (with DP switch)	E091 CD/00B09
R25/R26	Balance control 1 megohm special	E091 CG/00B84
R45	NTC Resistor	E203ZZ/08
R46	NTC Resistor	E203ZZ/10
	Dial scale printed	EN 853 08
	Dial knob	EN 853 09
	Small knob	A3 783 27
	Radiogram switch	EN 421 78

REPLACEMENT PARTS BSR UA15 RECORD CHANGER:

All enquiries for spare parts and service manuals should be addressed to:

David J. Reid Limited,
G.P.O. Box 2630,
AUCKLAND, C.I.

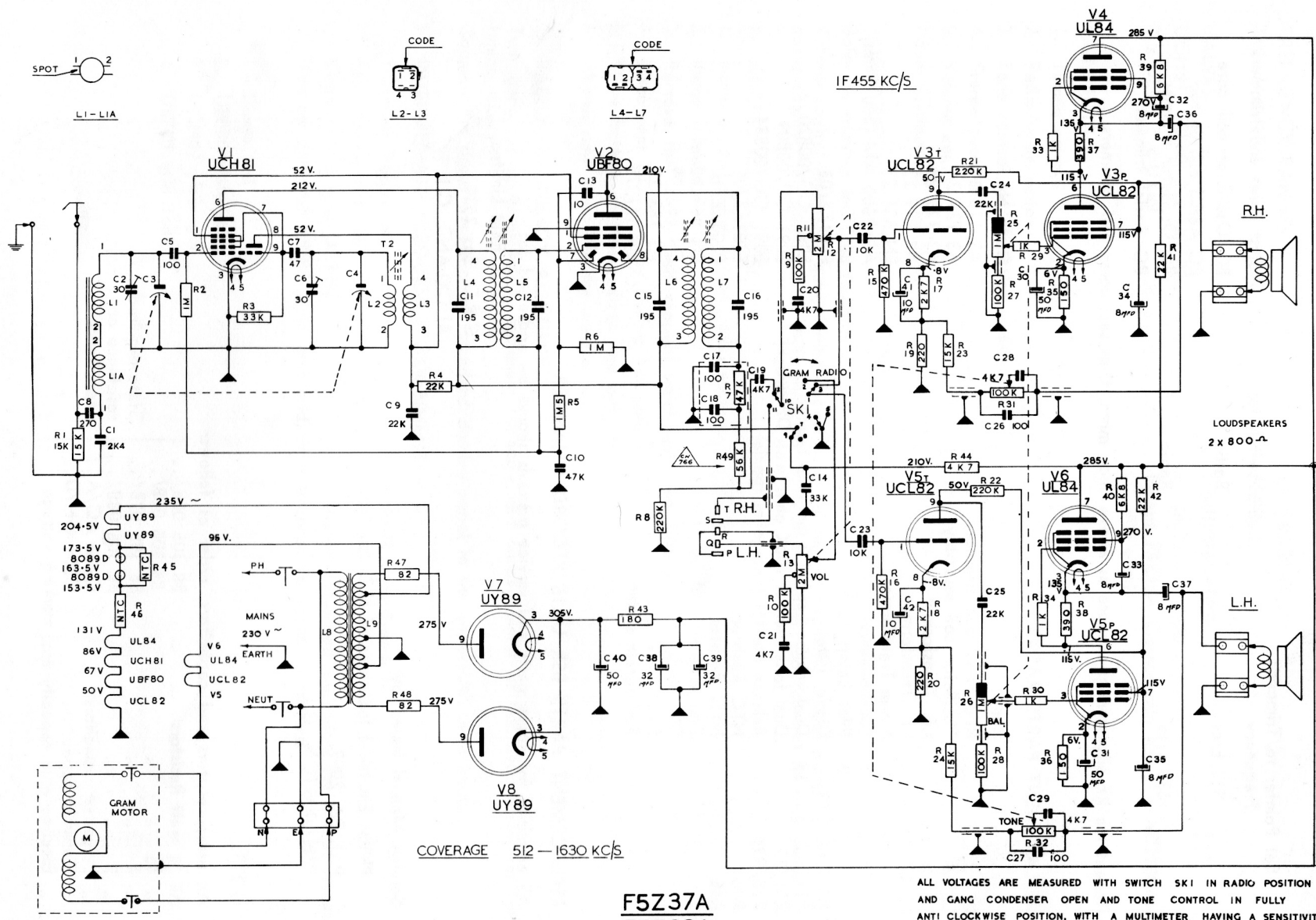
Service Manual issued by

Philips Electrical Industries of N.Z. Limited,
P.O. Box 2097,
WELLINGTON, C.I.

NOTE:

All other resistors and capacitors, order as follows:

All 1/4 watt Resistors	B8 305 05B/..	} State required resistance or capacitance
" 1/2 " "	B8 305 06B/..	
" 1 " "	B8 305 07B/..	
" 2 " "	B8 305 08B/..	
" Polyester capacitors	C296 AC/A..	
" Ceramic capacitors	C304 GH/D..	
" Electros give capacity and working voltage		



IF 455 KC/S

COVERAGE 512 — 1630 KC/S

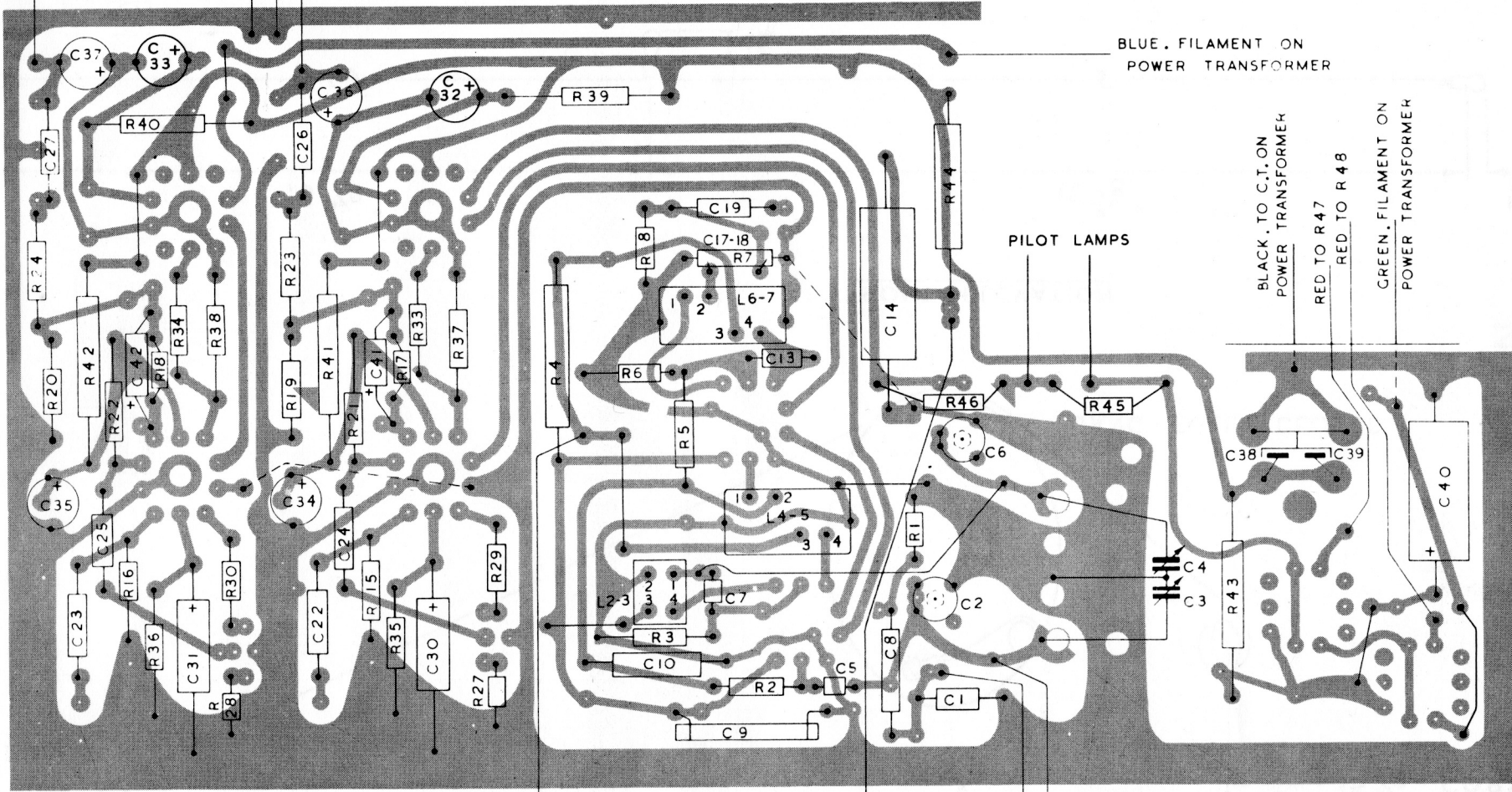
F5Z37A
F5Z38A
F6Z37A

ALL VOLTAGES ARE MEASURED WITH SWITCH SK1 IN RADIO POSITION AND GANG CONDENSER OPEN AND TONE CONTROL IN FULLY ANTI CLOCKWISE POSITION, WITH A MULTIMETER HAVING A SENSITIVITY OF 20,000 OHMS PER VOLT ON DC RANGES AND 1000 OHMS PER VOLT ON AC RANGES. READINGS ARE TAKEN BETWEEN POINTS INDICATED AND CHASSIS

L.H. SPEAKER

R.H. SPEAKER
800 OHM.

BLUE FILAMENT ON
POWER TRANSFORMER



BLACK TO C.T. ON
POWER TRANSFORMER

RED TO R 47

GREEN FILAMENT ON
POWER TRANSFORMER

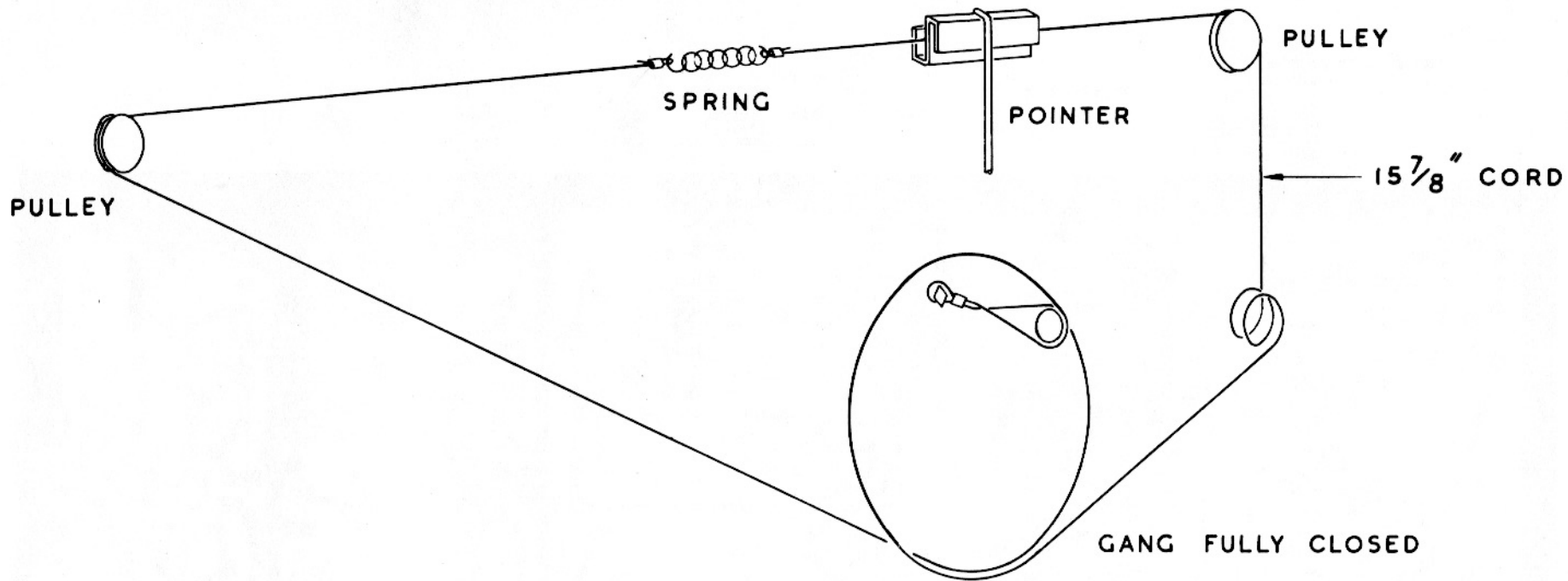
PILOT LAMPS

RED

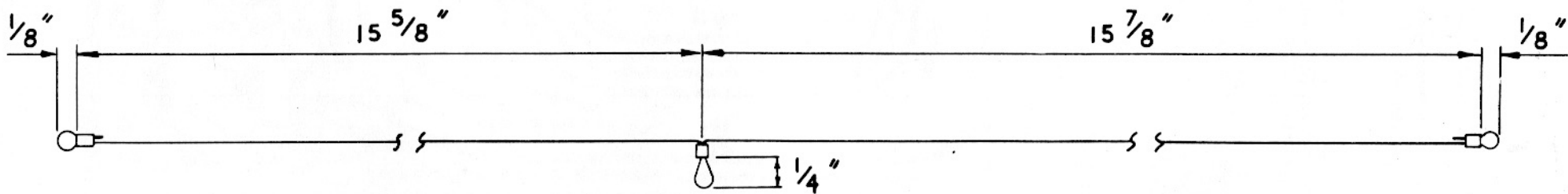
B +
ON RADIO GRAM
SWITCH

RED AERIAL

F5Z37 A. F5Z38 A.



FRONT ELEVATION



DRIVE CORD ASSY. EN 448 39
 CORD K 415 JB / 1
 EYELETS BOO2 AF / 3x4

F5Z37A, F5Z38A, F6Z37A.