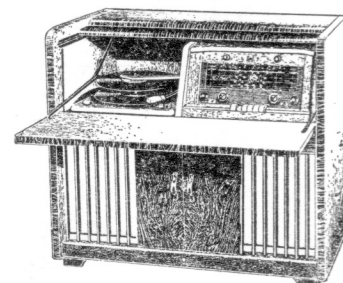


PHILIPS*Service***NOTES****FESTIVAL HALL Mk V F9Z06A****SPECIFICATIONS****LOUDSPEAKERS**

2 x AD 4000 AM
800 ohms

I.F.

455 KC

PILOT LAMPS

8024N/71 6v .3 amp
8009N/71 6v .25 amp

WAVERANGE

BC 512 kc/s, 1690 kc/s
5.6 mc/s—19.5 mc/s
Bandspread 25-31 metres

RECORD CHANGER

AG 1015

PICKUP HEADS

AG 3305

VALVES

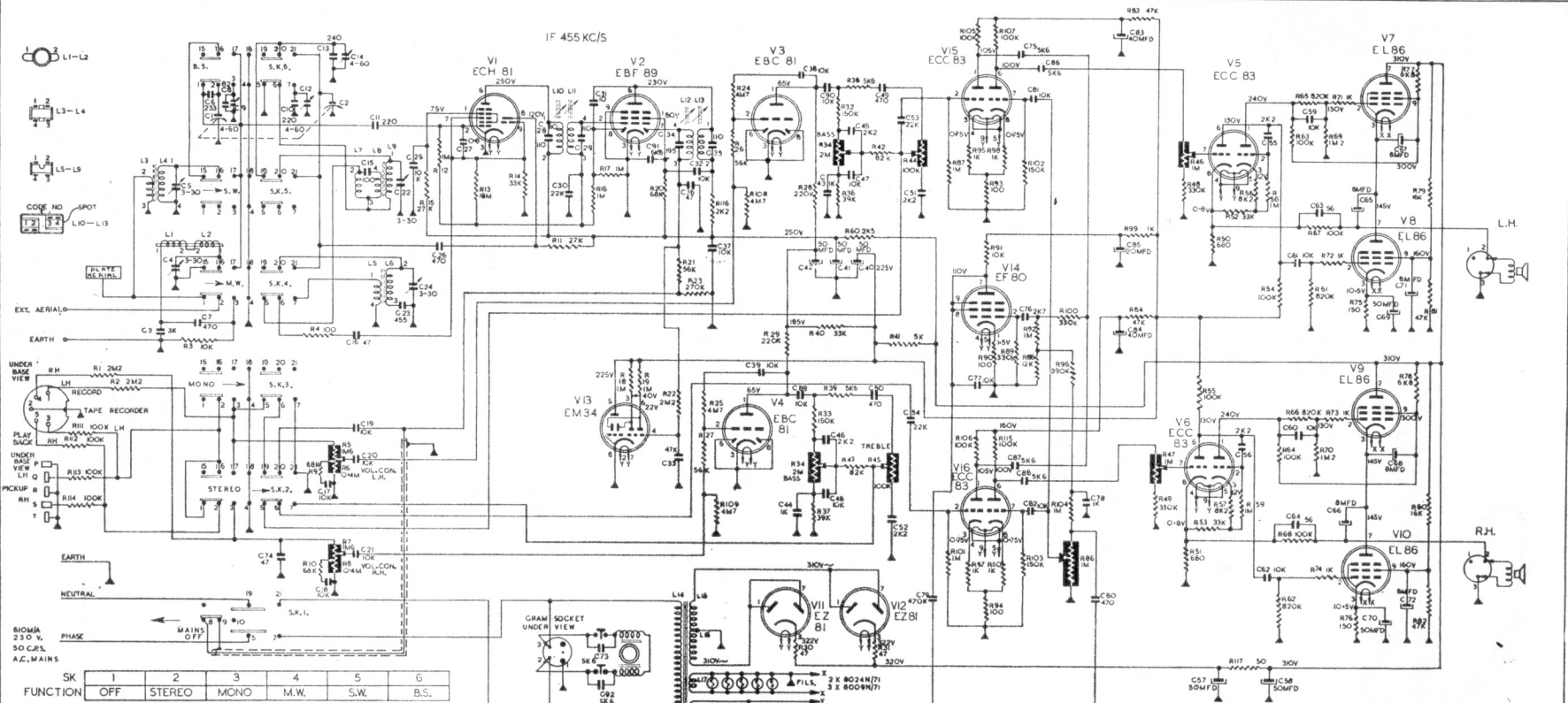
Converter ECH81
I.F. AMP EBF 89
A.F. AMP EBC 81
A.F. AMP EBC 81
A.F. AMP ECC 83
A.F. AMP ECC 83
A.F. O.P. EL 86
A.F. O.P. EL 86
A.F. O.P. EL 86
A.F. O.P. EL 86
REC. EZ 81
REC. EZ 81
TUN. IND. EM 34
Reverb. Driver EF 80
Reverb. Mixer ECC83
Reverb. Mixer ECC83

PARTS LIST

Rod Aerial Assy. BC	EN 469 91	L1, L2
Aerial Coil Assy. SW.	EN 469 80	L3, L4
Oscillator Coil BC	EN 471 70	L5, L6
Oscillator Coil SW.	EN 471 61	L7, L8, L9
1st I.F. Coil	A3-127-42	L10, L11
2nd I.F. Coil	A3-126-84	L12, L13
Mains Transformer	EN 631 18	L14, L15, L16, L17, L18
Reverberation Unit	EN 959 15	L19, L20
Tuning Cond.	49 001 93	C1, C2
Socket Two Pin Min	EN 284 85	Plug A4-540-03
Socket, Speaker 3 Pin	A3 410 65	Plug AE 505-92
Socket, Tape Recorder	A3-788-88	Plug A3-841-05
Socket I.E. 5 Pin P.U.	A3-788-57	
Socket, 4 Pin	EN 284-57	
Dual Electrolytic	AC 5408 50+50	
Triple Electrolytic	AC 5408 50+50+50	
Vol. Cont. Tandem—	E091CG/00B20 M4+1M6 LOG	
Bass. Cont. Tandem—	E091CG/00B20+916/06 2 meg+2 meg	
Treble Cont. Tandem—	E091CG/00B06+916/06 100K+100K	
Balance Cont. Tandem—	E091ZZ/12+1 meg+1 meg	
Rebrev. Cont.—	E091CG/00B06, 1 meg	
Hum Preset Cont.—	E097AE500E	

PHILIPS "FESTIVAL HALL" Mk. V—MODEL F9Z06A

C	3, 4, 5, 6, 1, 8, 10, 9, 12, 13, 21, 16, 15, 11, 22, 24, 26, 27	28, 30, 29, 31, 32, 34, 36, 35	39, 40, 48, 50, 49, 48, 41, 42, 52, 50, 54, 74	80, 76, 81, 82, 84, 85	86, 87, 75, 88, 82, 78, 83, 85	86, 87, 88, 84, 83, 86, 85, 82, 84, 85	86, 87, 88, 84, 83, 86, 85, 82, 84, 85
R	BL 112, 1, 2, 3, 7, 9, 74, 16, 2, 14, 20, 23, 25, 15, 12, 13, 14, 11, 16, 17, 20, 21, 23, 25, 16, 24, 26, 85, 24, 33, 34, 32, 28, 40, 42, 44, 83, 92, 101, 99, 102, 98, 80, 100, 86, 83, 99, 49, 46, 55, 50, 57, 56, 54, 46, 58, 65, 72, 73, 74, 69, 75, 77, 79, 81, 83, 114, 4, 7, 6, 18, 19, 22, 27, 109, 108, 39, 28, 37, 36, 35, 30, 43, 45, 45, 101, 98, 100, 94, 108, 85, 110, 102, 88, 104, 96, 84, 47, 51, 48, 53, 52, 58, 58, 60, 64, 62, 63, 61, 73, 75, 78, 80, 82						



SK	1	2	3	4	5	6
FUNCTION	OFF	STEREO	MONO	M.W.	S.W.	B.S.
08	•	•	•	•	•	•
09	•	•	•	•	•	•
10	•	•	•	•	•	•
11	•	•	•	•	•	•
12	•	•	•	•	•	•
13	•	•	•	•	•	•
14	•	•	•	•	•	•
15	•	•	•	•	•	•
16	•	•	•	•	•	•
17	•	•	•	•	•	•
18	•	•	•	•	•	•
19	•	•	•	•	•	•
20	•	•	•	•	•	•
21	•	•	•	•	•	•
22	•	•	•	•	•	•

COVERAGE
 BROADCAST — 512 — 890 KC/S
 SHORTWAVE — 5 — 15 MF/MCS
 BANDSPREAD — 2 METRES
 METALS

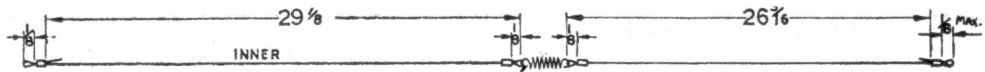
F9206A

Philips

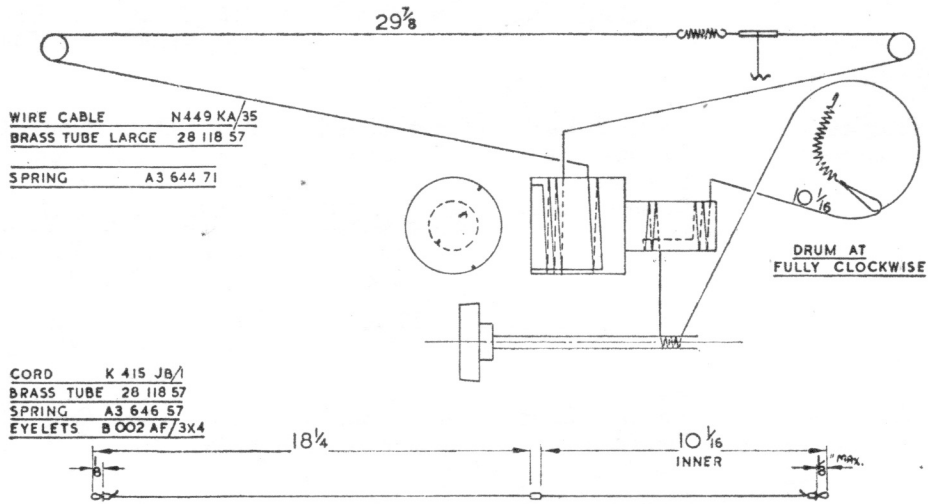
7-6-61 R9L

F9206A

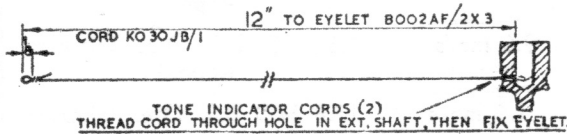
DIAL CORD DIAGRAM



POINTER CABLE ASSEMBLY EN 448-28



GANG DRIVE CORD ASSEMBLY EN 448-27



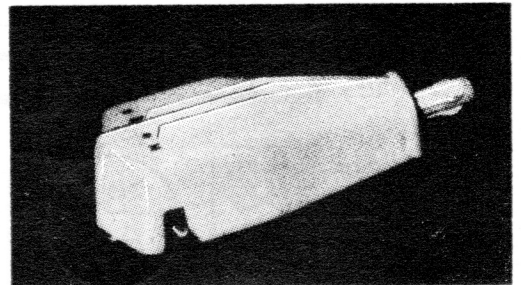
Festival Hall
PICK-UP HEAD

AG.3302/AG.3305

STYLI

- AG 3302 Sapphire N 946/S49
Sapphire M + S 946/S46
- AG 3305 Sapphire N 946/S49
Diamond S + M 946/D42

"Flip over" type, crystal pick-up for monophonic or stereophonic records. AG. 3302 sapphire stylus for micro-groove and 78 r.p.m. records. A.G. 3305 diamond stylus for micro-groove and sapphire stylus for 78 r.p.m. records.



Type No.	System	Needle		Compliance 10-6 cm/dyne	Output Voltage MV/cm/ sec.	Vert. Needle Force grams	Freq. Response c/s-kc/s
		Tip Material	Tip Radius in u.				
AG.3302	Piezo Electric	Sapphire	18/75	2 vt. 3 lt.	120	4-6	30-15
AG.3305	Piezo Electric	Diamond Sapphire	18 75	2 vt. 3 lt.	120	4-6	30-15

Published by—

PRODUCT MAINTENANCE DIVISION, PHILIPS ELECTRICAL INDUSTRIES (N.Z.) LTD.

Branches:—

143 HOBSON ST., P.O. Box 5124, AUCKLAND.
77 FERRY RD., P.O. Box 1488, CHRISTCHURCH.
181-195 WAKEFIELD ST., P.O. Box 2097, WELLINGTON.

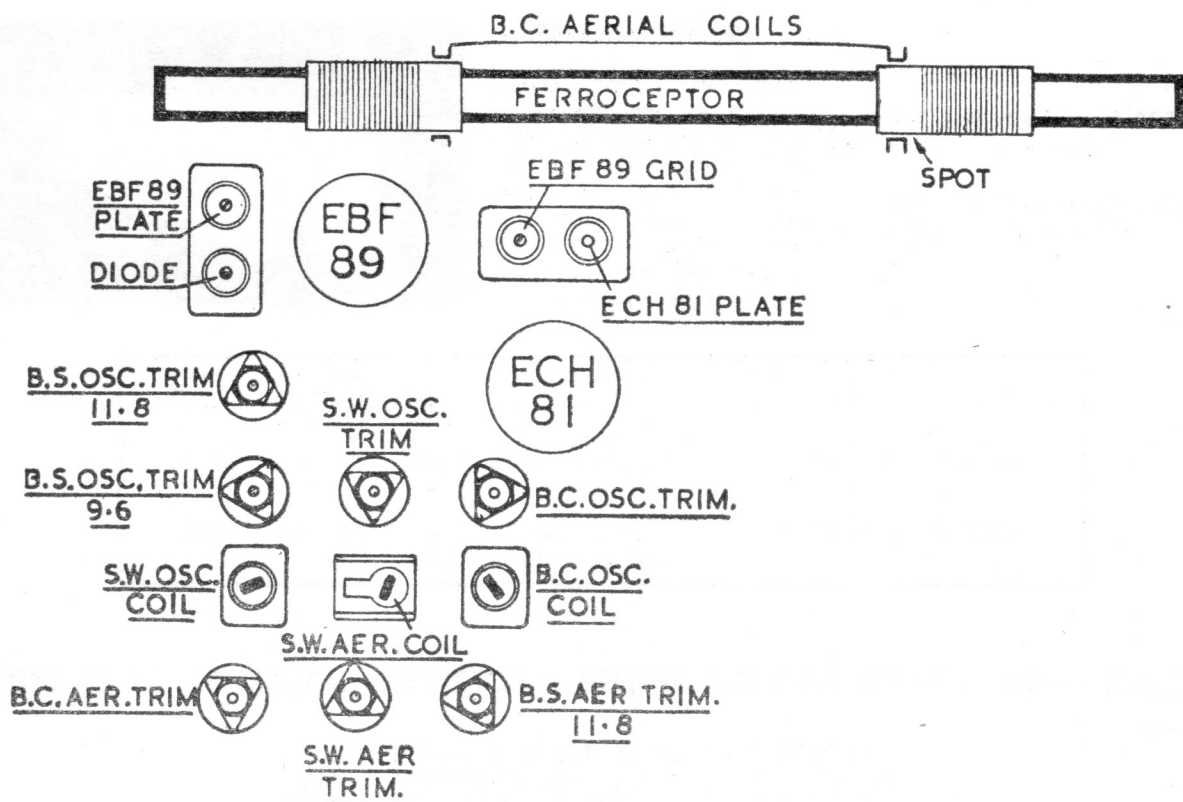
ALIGNMENT INSTRUCTIONS:

Connect test speakers or Output Meter to one audio channel and load the other channel output with either an 800 ohm load or loudspeaker. Refer to trimmer location diagram.

Waveband Switch Button	Connect to Sig. Gen.	Trimming Frequency	Adjust to Max. Output Voltage
Broadcast	Grid ECH81 via .033 MFD Cond.	455 kc/s	(1) Diode Coil (2) Plate Coil EBF89 (3) Plate Coil ECH81 (4) Grid Coil EBF89
Broadcast	Aerial & Earth Terminals via Standard Dummy Aerial	Gang Closed 512 kc/s	B.C. Osc. Coil Core Aerial Coil on Rod Repeat
		Gang Cond. open 1690 kc/s	B.C. Osc. Trimmer B.C. Aer. Trimmer Repeat
		1000 kc/s	Slide pointer on pointer Drive wire until pointer is on 1000 kc/s on dial
Shortwave	Aerial & Earth Terminals via Standard Dummy Aerial	Gang closed 5.6 mc/s	S.W. Osc. Coil Core S.W. Aer. Coil Core Repeat
		Gang open 19.5 mc/s	S.W. Osc. Trimmer S.W. Aer. Trimmer Repeat
Bandspread		9.6 mc/s	9.6 MC B.S. Osc. Trimmer Repeat
		11.8 mc/s	11.8 MC B.S. Osc. Trimmer 11.8 MC B.S. Aer. Trimmer Repeat

F9206A

All the above figures are obtained with the Volume Control maximum and the two tone controls in the maximum position, and balance control towards the Audio Channel connected to the output meter, or speaker.



TRIMMER LOCATION DIAGRAM