

# TECHNICAL INFORMATION

7v. BANDSPREAD LOWBOY

MODEL R.C.E.  
BABY GRAND

*Symphony*

DESIGNED AND MANUFACTURED

by

ULTIMATE-EKCO (N.Z.) CO. LTD.

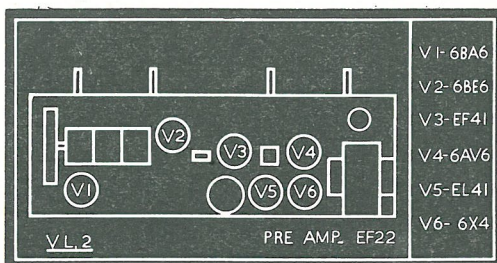
Power Supply	230v. A.C. 50 cp/s.	Rating	60 watts
Tuning Range	1600 kc/s. — 550 kc/s.	Speaker	Rola 12m. 7k. Xfmr.
17.8 mc/s. — 15.2 mc/s. — 11.8 mc/s.		Power Output	3.5 watts
9.6 mc/s. — 7.15 mc/s. — 6.1 mc/s.		I.F. Frequency	460 kc/s.

### CIRCUIT DESCRIPTION:

Radio Frequency Amplifier	6BA6
Frequency Changer	6BE6
Intermediate Frequency Amplifier	EF41
Voltage Amplifier, Detector and A.G.C. Source	6AV6
Power Amplifier	EL41
Rectifier	6X4
Gramophone Pre. Amplifier	EF22

### ANTENNA:

A Standard Inverted "L" Type Antenna with a flat top of approximately 30 feet is recommended.

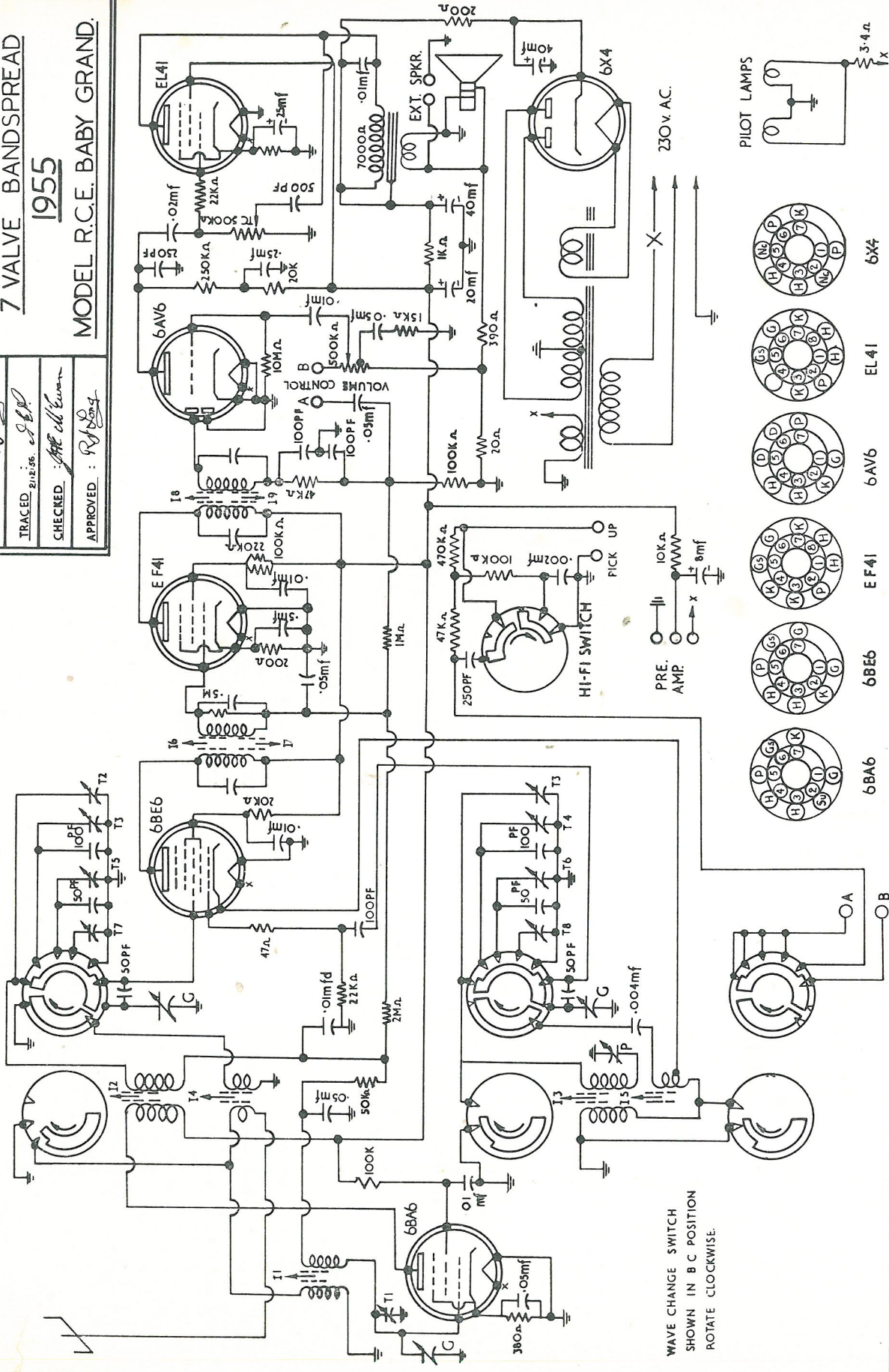


# 7 VALVE BANDSPREAD

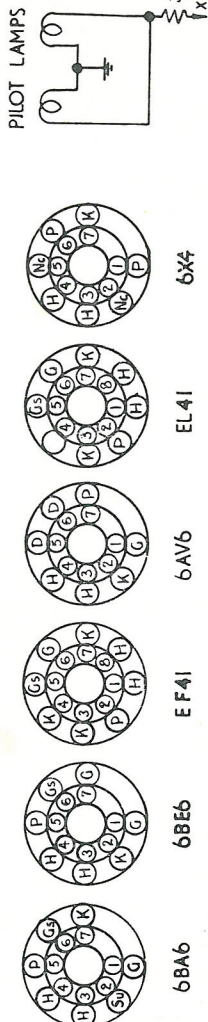
1955

# MODEL R.C.E. BABY GRAND.

DRAWN : *R.B. Long*  
 TRACED : *J.B.P.*  
 CHECKED : *W.C. Evans*  
 APPROVED : *R.B. Long*



WAVE CHANGE SWITCH  
 SHOWN IN B C POSITION  
 ROTATE CLOCKWISE.



### VOLTAGES APPEARING BETWEEN VALVE PINS AND CHASSIS FRAME.

VALVE PIN NO.	1	2	3	4	5	6	7	8
6BA6	-.24v. D.C.	1.9v. D.C.	6.2v. A.C.	—	215v. D.C.	68v. D.C.	1.9v. D.C.	
6BE6	-5v. D.C.	—	6.2v. A.C.	—	215v. D.C.	92v. D.C.	-.25v. D.C.	
EF41	—	215v. D.C.	1.5v. D.C.	1.5v. D.C.	92v. D.C.	-.3v. D.C.	1.5v. D.C.	6.2v. A.C.
6AV6	-.8v. D.C.	—	6.2v. A.C.	—	-.5v. D.C.	—	105v. D.C.	
EL41	6.2v. A.C.	230v. D.C.	5.2v. D.C.	—	215v. D.C.	—	5.2v. D.C.	
6X4	210v. A.C.	—	—	—	—	210v. A.C.	250v. D.C.	

### D.C. RESISTANCES.

AER. Coil Prim	.....	.....	44 ohms.	I.F. Prim	.....	.....	7 ohms.
" " Sec.	.....	.....	3 ohms.	" Sec.	.....	.....	7 ohms.
DET. " Prim.	.....	.....	.4 ohms.	Power Xformer Prim.	.....	.....	60 ohms.
" " Sec.	.....	.....	3 ohms.	" " Sec.	.....	.....	350 ohms.
OSC. " Prim.	.....	.....	.2 ohms.	Speaker Xformer Prim.	.....	.....	
" " Sec.	.....	.....	2 ohms.	" " Sec.	.....	.....	

### ALIGNMENT INFORMATION

Adjust  
Adjust

DUMMY ANT.	Generator Coupled to:	Generator Freq.	Receiver Dial Setting	ADJUST	Approx. Sens. for 50m.v. output
.1 MFD.	Control Grid EF41	460 kc/s.	550 kc/s.	2nd I.F. Trimmers for Max.	1300 m.v.
.1 MFD.	Control Grid 6BE6	460 kc/s.	550 kc/s.	All I.F. Trimmers for Max.	20 m.v.
R.M.A. Standard	Ant. Lead	1400 kc/s.	1400 kc/s.	Osc. Trimmer for Max.	
" "	" "	1400 kc/s.	1400 kc/s.	R.F. and DET. Trimmer for Max.	Better than 1 micro volt.
" "	" "	600 kc/s.	Through 600 kc/s.	Padder for Max.	Better than 1 micro volt.

### CALIBRATION AND ALIGNMENT OF S.W. BANDS—

#### Calibration:

BAND 2—Set T4 on 9.6 m.c. Set Iron Core L5 on 6.1 m.c.

BAND 3—Set T6 on 11.6 m.c.

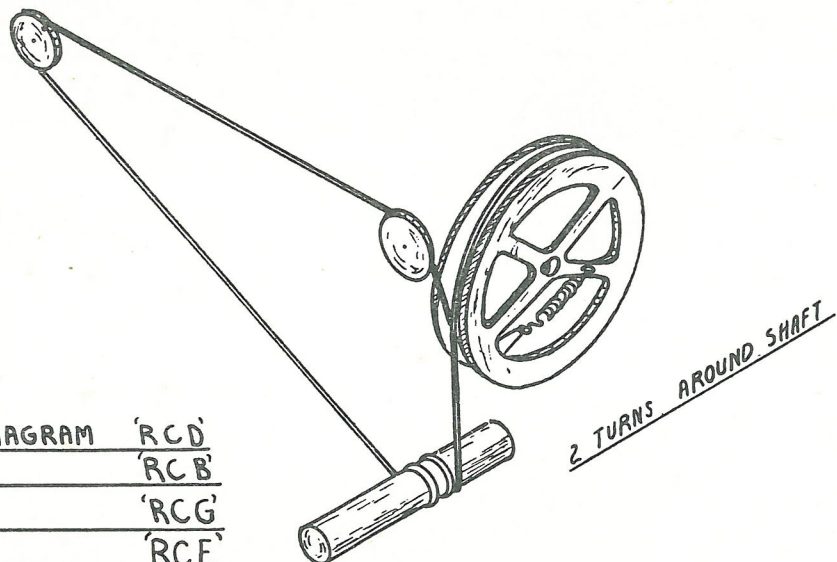
BAND 4—Set T8 on 15.2 m.c.

#### Alignment:

BAND 2—Adjust T3 for Max. on 9.6 m.c. Adjust L4 for Max. on 6.1 m.c.

BAND 3—Adjust T5 for Max. on 11.6 m.c.

BAND 4—Adjust T7 for Max. on 17.8 m.c.



DIAL STRINGING DIAGRAM    'RCD'  
 \_\_\_\_\_                    'RCB'  
 \_\_\_\_\_                    'RCG'  
 \_\_\_\_\_                    'RCE'  
 \_\_\_\_\_                    'RCC'

**AMENDMENTS AND REMARKS:**

EL41 Cathode Resistor is 150 ohm.

7 VALVE BANDSPREAD

1956

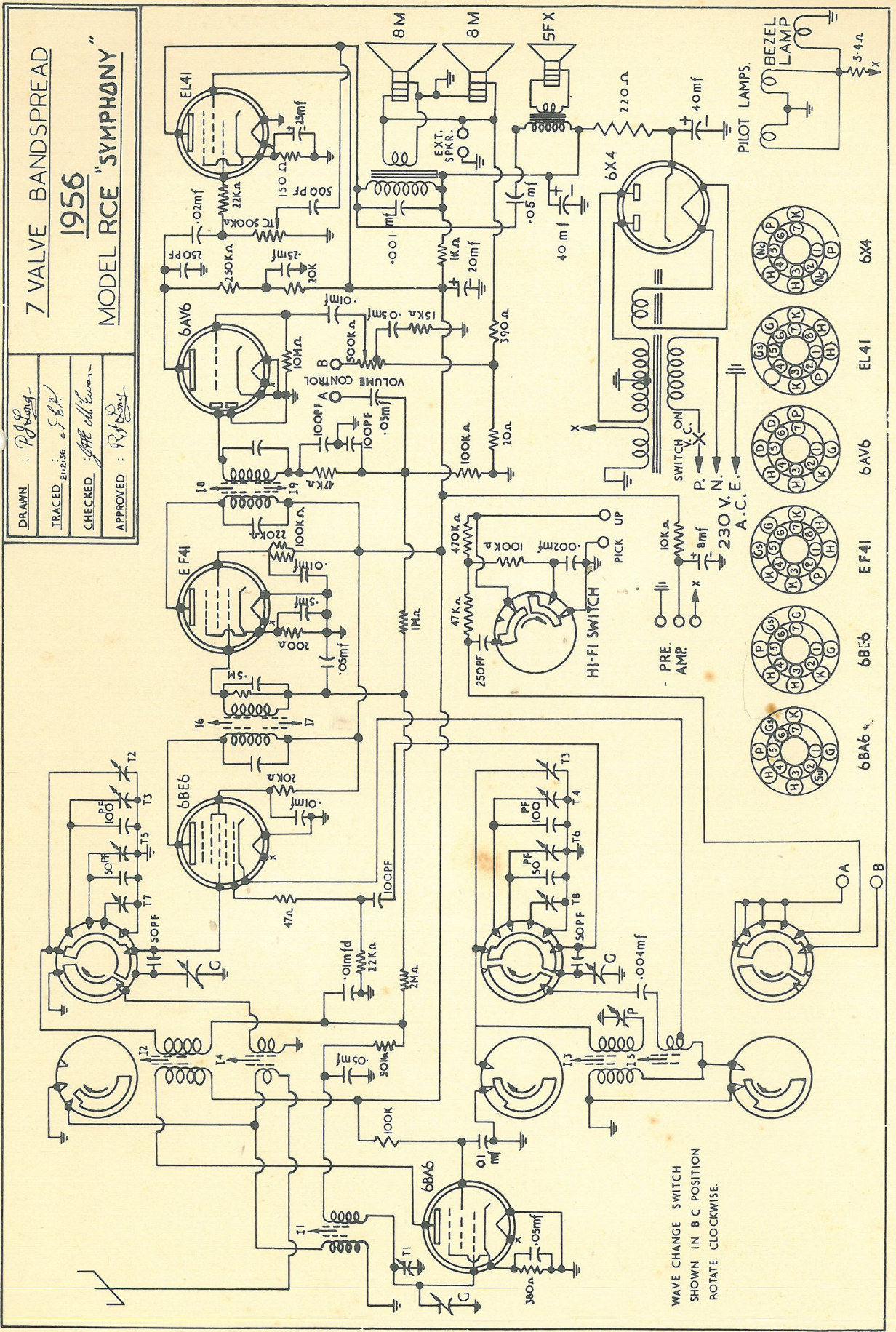
MODEL RCE "SYMPHONY"

DRAWN : R. Long

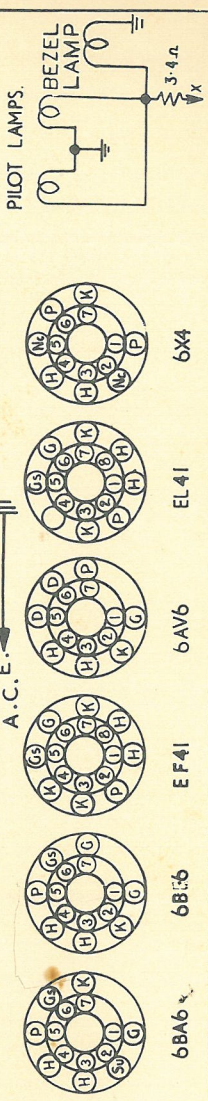
TRACED 2/12/56 c. S. E. R.

CHECKED : J. H. E. E. E.

APPROVED : R. Long



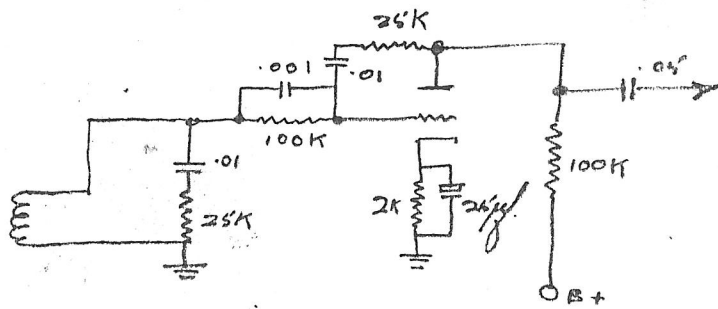
WAVE CHANGE SWITCH SHOWN IN B C POSITION ROTATE CLOCKWISE.



RCE

ppm

RCE  
standard crystal  
astatic ~~7~~ 1.m.



RCE MAGNETIC HEAD

50948